

## DOVETAIL PLATES ONLY

NUMBER	DESCRIPTION	LENGTH (IN.)	WIDTH (IN.)	HEIGHT (IN.)	WEIGHT
195-D	Retired Mount <small>(available part)</small>	5-1/8	3-1/2	3/8	8 oz.
196-D	Dovetail Plate	5-1/8	3-1/2	3/8	8 oz.
200-D	Retired Mount <small>(available part)</small>	3-7/8	2-9/16	3/8	5 oz.
201-D	Dovetail Plate	3-7/8	2-9/16	3/8	5 oz.

## MOUNTING RECEPTACLES ONLY

NUMBER	DESCRIPTION	LENGTH (IN.)	WIDTH (IN.)	HEIGHT (IN.)	WEIGHT
195-D	Retired Mount <small>(available part)</small>	9-1/2	4	29/32	1 lb. 3 oz.
196-D	Mounting Receptacle	9-1/2	4	29/32	1 lb. 3 oz.
200-D	Retired Mount <small>(available part)</small>	7-1/4	3	5/8	8-1/2 oz.
201-D	Mounting Receptacle	7-1/4	3	5/8	8-1/2 oz.

Contact for pricing.

# HUBER MOUNT | RETIRED MOUNTS

*More Two-Axis Mounts*

## AVAILABILITY

The founder of Huber Mounts was a great inventor, who designed over dozens of varieties of camera and instrumentation mounts! Being in business for over 75 years, technology comes and goes. Due to supply, demand, and product restraints, we have focused our offerings to just the most popular Huber Mounts.

But wait! We have limited availability of retired mounts & dovetail plates. If your project requires a specific Huber Mount, or you're looking to refurbish an old mount, contact us today and we will see what we can do!

## DETAILS

Major parts of the mount are of high strength aluminum alloy with black anodized finish and the screw parts are of stainless steel.

Contact for availability and pricing.

## MOUNTS

**TYPE 195 MODEL D**

**TYPE 195 MODEL M**

**TYPE 196 MODEL M**

**TYPE 200 MODEL D**

**TYPE 560 MODEL A**

812-537-2275  
Hubermount.com

**HUBER**  
**INDUSTRIES**

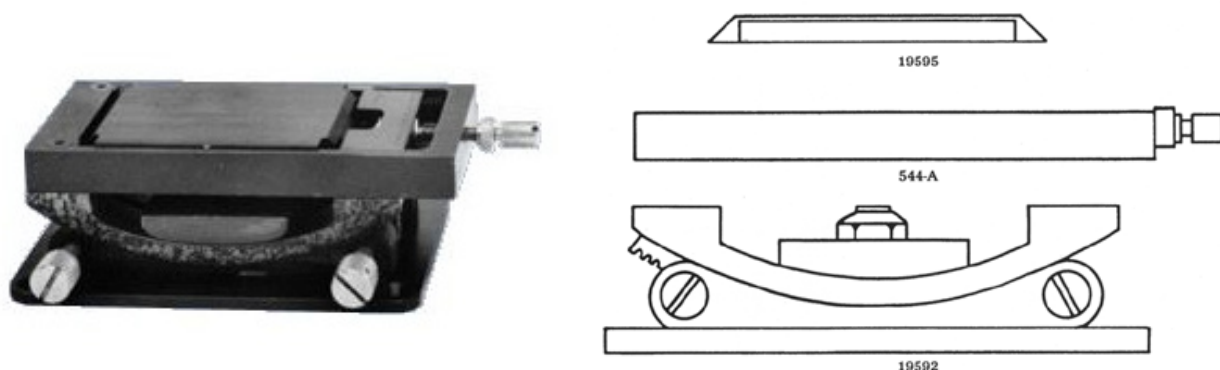
A Batesville Products Company

# HUBER MOUNT | RETIRED MOUNTS

More Two-Axis Mounts

## TYPE 195 MODEL D

For when cameras are too heavy or forces too great for the Type 159 or Type 200 series.



NUMBER	DESCRIPTION	LENGTH (IN.)	WIDTH (IN.)	HEIGHT (IN.)	WEIGHT
195-D	Fully Assembled Mount	9-1/2	6-1/2	3-7/8	5 lb. 12 oz.
19595	Dovetail Plate (available, compatible with all 195)	5-1/8	3-1/2	3/8	8 oz.
544-A	Mounting Receptacle (available, compatible with all 195)	9-1/2	4	29/32	1 lb. 3 oz.
19592	Adjustable Segment	7-7/8	6-1/2	1-7/8	4 lb.
<b>Azimuth Range</b>		24°			
<b>Elevation Range</b>		18°			

812-537-2275  
Hubermount.com

**HUBER**  
**INDUSTRIES**

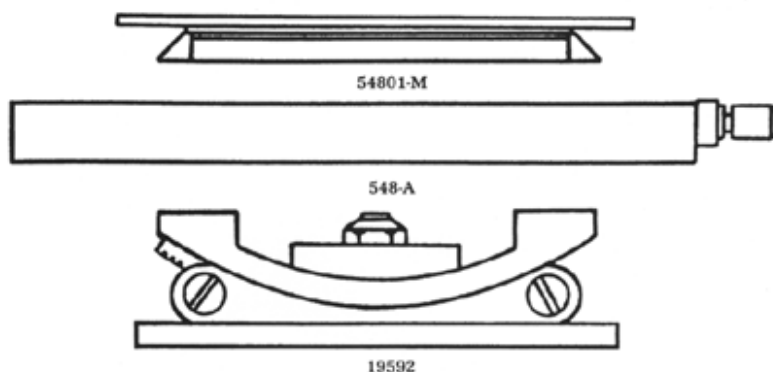
A Batesville Products Company

# HUBER MOUNT | RETIRED MOUNTS

*Uncommon Two-Axis Mounts*

## TYPE 195 MODEL M

*Elongated shape for auxiliary support.*



NUMBER	DESCRIPTION	LENGTH (IN.)	WIDTH (IN.)	HEIGHT (IN.)	WEIGHT
195-M	Fully Assembled Mount	14-1/4	6-1/2	3-3/16	9 lb. 9 oz.
54801-M	Dovetail Plate	11	5	3/4	3 lb.
548-A	Mounting Receptacle	14-1/4	5	7/8	2 lb. 10 oz.
19592	Adjustable Segment	7-7/8	6-1/2	1-7/8	4 lb.
<b>Azimuth Range</b>		24°			
<b>Elevation Range</b>		18°			

812-537-2275  
Hubermount.com

**HUBER**  
**INDUSTRIES**

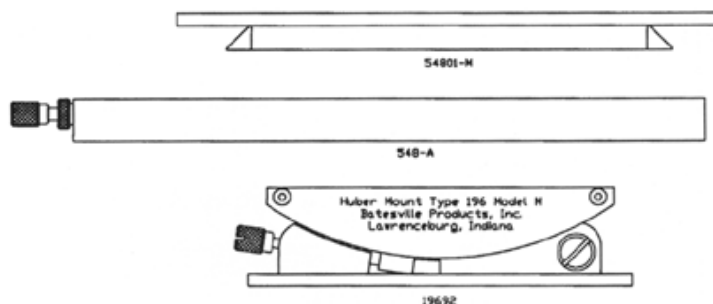
A Batesville Products Company

# HUBER MOUNT | RETIRED MOUNTS

*Uncommon Two-Axis Mounts*

## TYPE 196 MODEL M

*Designed for larger instruments.*



NUMBER	DESCRIPTION	LENGTH (IN.)	WIDTH (IN.)	HEIGHT (IN.)	WEIGHT
196-M	Fully Assembled Mount	14-1/4	6-1/2	3-3/16	9 lb. 9 oz.
54801-M	Dovetail Plate	11	5	3/4	3 lb.
548-A	Mounting Receptacle	14-1/4	5	7/8	2 lb. 10 oz.
19692	Adjustable Segment	7-7/8	6-1/2	1-7/8	4 lb.
<b>Azimuth Range</b>		24°			
<b>Elevation Range</b>		18°			

812-537-2275  
Hubermount.com

**HUBER**  
**INDUSTRIES**

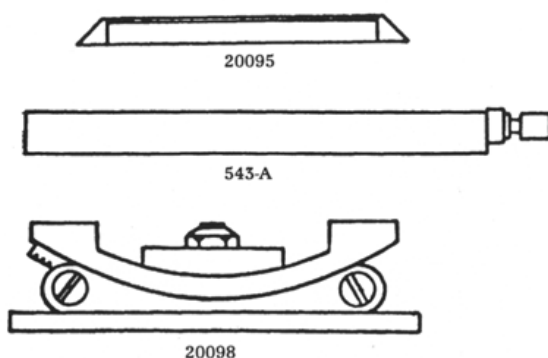
A Batesville Products Company

# HUBER MOUNT | RETIRED MOUNTS

*Uncommon Two-Axis Mounts*

## TYPE 200 MODEL D

General purpose instrument, an intermediate size between the Type 159 and Type 195 series.



NUMBER	DESCRIPTION	LENGTH (IN.)	WIDTH (IN.)	HEIGHT (IN.)	WEIGHT
200-D	Fully Assembled Mount	7-11/32	5-1/16	2-3/8	2 lb. 14 oz.
20095	Dovetail Plate (available, compatible with 201-D)	3-7/8	2-9/16	3/8	5 oz.
543-A	Mounting Receptacle (available, compatible with 201-D)	7-1/4	3	5/8	8-1/2 oz.
20098	Adjustable Segment	5-7/8	5-1/16	1-11/16	2 lb.
<b>Azimuth Range</b>		24°			
<b>Elevation Range</b>		18°			

812-537-2275  
Hubermount.com

**HUBER**  
**INDUSTRIES**

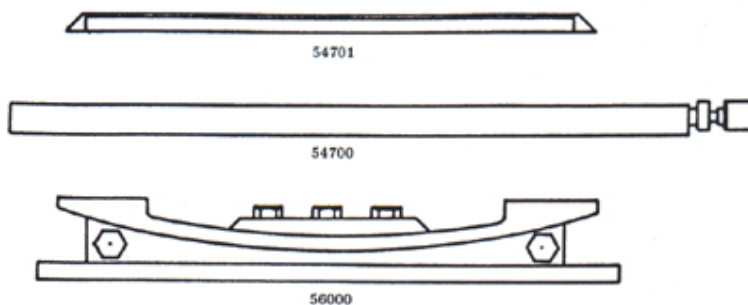
A Batesville Products Company

# HUBER MOUNT | RETIRED MOUNTS

*Uncommon Two-Axis Mounts*

## TYPE 560 MODEL A

*Largest of the line. Uses three lock bolts rather than one, assuring complete lateral stability for massive cameras and instrumentation.*



NUMBER	DESCRIPTION	LENGTH (IN.)	WIDTH (IN.)	HEIGHT (IN.)	WEIGHT
560-A	Fully Assembled Mount	16-1/2	13-5/8	4-15/16	45 lb.
54701	Dovetail Plate	12-3/8	11-3/4	3/8	5 lb. 4 oz.
54700	Mounting Receptacle	16-1/2	13-5/8	7/8	7 lb.
56000	Adjustable Segment	12	13-5/8	4-1/16	32 lb. 12 oz.
<b>Azimuth Range</b>		24°			
<b>Elevation Range</b>		18°			

812-537-2275  
Hubermount.com

**HUBER**  
**INDUSTRIES**

A Batesville Products Company