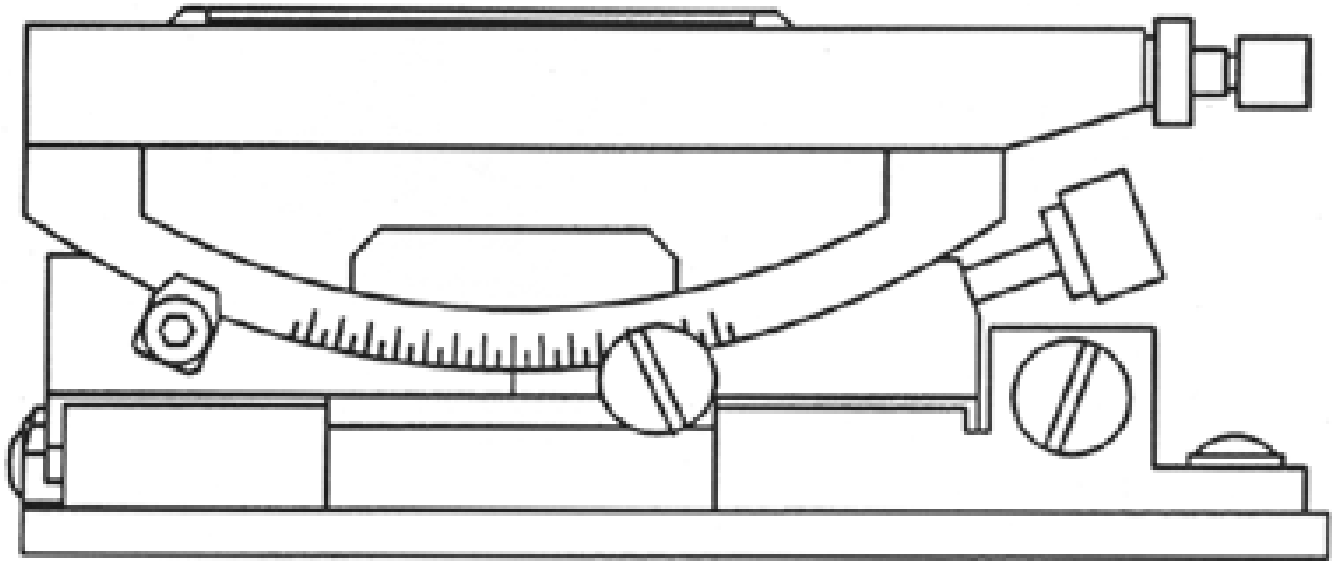


HUBER MOUNT | TYPE 300 MODEL D

Three-Axis Mount



NUMBER	DESCRIPTION	LENGTH (IN.)	WIDTH (IN.)	HEIGHT (IN.)	WEIGHT
300-D	Fully Assembled Mount	7-1/4	4-1/2	3	3-1/2 lb.
Components		High-strength aluminum alloy with black anodized finish			
Screw Parts		Stainless Steel			
Azimuth Range		22°			
Elevation Range		30°			
Horizon Range		6°			

Our most popular Huber Mount! This versatile mount is well-known for its adjustable three-axis design! A hex key, nested in the azimuth plate, is included for independent clamping of each axis. The compact footprint and extended elevation range of this mount give it the flexibility to work in a variety of applications.

Instruments mount to the dovetail plate which is precisely located and locked into the unit's receptacle using the patented DUPLEX-VEE-LOCK quick-disconnect feature. This system gives you the ability to quickly remove and replace instrument while maintaining the targeting position of the mount.

Special adapters can be added to the dovetail plate or optional machined features may be specified to meet your specific needs.

Call for pricing.

812-537-2275
Hubermount.com

HUBER
INDUSTRIES
A Batesville Products Company